

Definite Purpose Motors

Explosion Proof
Motors

Automotive
Duty Motors

Pump
Motors

Washguard
Motors

Agricultural
Duty Motors

HVAC / Fan
Motors

Special Voltage
Motors

Definite
Purpose Motors

Brake Motors



Product Families Include:

- Compressor duty motors – page 243
- Pressure washer duty motors – page 245
- Woodworking motors – page 247
- Instant reversing motors – page 249
- Boat Hoist motors – page 251
- Two-Speed motors – page 252
- Crusher duty motors – page 253
- Elevator duty motors – page 254
- Unit handling motors – page 263
- Export only general purpose motors – page 264



Definite Purpose Motors

Compressor Duty Motors

Compressor, Pump and Fan & Blower Duty

General Specifications:

Motors designed for air compressor, pump, and fan and blower duty applications which require high breakdown torque and rugged mechanical construction.

Mechanical Features:

- Double shielded ball bearings
- Designed for belted loads

Electrical Features:

- High efficient copper windings
- High starting and breakdown torque
- Dual rotation



Rigid Base - Capacitor Start - General Purpose - Drip-Proof Single Phase - Drip-Proof - Rigid Base

HP	RPM 60 Hz	NEMA Frame	▼ Catalog Number	Stock	List Price	Model Number	App. Wgt. (lbs)	Voltage	Over- load Prot.	F. L. Amps @ 230 V	Service Factor	"C" Dim. (Inches)	♥Notes
1	3600	56	110160.00	✓	445	M6C34DB6	27	115/230	Man.	6.7	SPEC	11.38	S, US
	1800	143T	120044.00	✓	606	C143C17DB3	38	115/208-230	None	6.4	1.15	11.28	S, US
	1800	143T	120003.00	✓	637	M143C17DB2	33	115/208-230	Man.	6.4	1.15	11.13	S, US
1 1/2	3600	56	110161.00	✓	488	P6C34DB7	33	115/230	Man.	10.0	SPEC	11.88	S, US
	1800	145T	120042.00	✓	669	C145K17DB5	38	115/208-230	None	8.6	1.15	12.28	S, US, 53
	1800	145T	LM24687	✓	702	SSD4S1.5T1C602	41	115/208-230	None	8.6	1.15	12.49	S, US
	1800	145T	120004.00	✓	850	P145K17DB3	40	115/208-230	Man.	8.6	1.15	12.28	S, US, 53
2	3600	56	110232.00	✓	509	M6C34DB11	33	115/230	Man.	11.0	SPEC	11.88	S, US
	1800	182T	131515.00	✓	827	C182C17DB8	56	115/208-230	None	12.4	1.15	13.19	S, MX
	1800	182T	131536.00	✓	885	P182C17DB10	63	115/208-230	Man.	8.8	1.15	10.66	S, MX
3	3600	56Y	110222.00	✓	571	M6C34DB13	38	230	Man.	15.0	1.15	12.38	S, US, 36
	1800	184T	131534.00	✓	895	C184C17DB19	69	115/230	None	16.9	1.15	14.19	S, MX
5SPL	3600	56	116523.00	✓	688	P6K34DB22	35	208-230	Man.	15.0	1.00	11.44	S, US, 53
5	3600	56Y	111275.00	✓	710	P6K34DB5	44	230	Man.	20.8	1.00	13.34	S, US, 36, 53
	3600	56Y	116789.00	✓	731	P6K34DB27	45	230	Man.	20.8	1.00	12.38	S, US, 10, 53
	3600	145T	120554.00	✓	718	P145K34DB1	46	230	Man.	20.8	1.00	13.12	S, US, 53
	1800	184T	131537.00	✓	1,074	C184K17DB31	83	230	None	21.0	1.15	14.69	S, MX, 53
	1800	184T	LM24682	✓	1,097	SSD4S5T1B600	87	208-230	None	21.0	1.15	14.69	S, MX, 53
	1800	184T	131622.00	✓	1,284	P184K17DB33	82	230	Man.	21.0	1.15	14.69	S, MX, 53
7 1/2	3600	184T	132044.00	✓	1,034	C184K34DB8	110	208-230	Tstat	31.0	1.15	16.69	S, MX, 53
	3600	213T	140680.00	✓	1,747	C213K34DB1	112	208-230	None	29.5	1.15	16.55	S, MX, 53
	1800	215T	140155.00	✓	1,525	C215K17DB2	113	230	None	36.0	1.15	17.26	S, MX, 53
	1800	215T	LM24683	✓	1,609	SS215D4S7.5T1B600	118	208-230	None	36.0	1.15	17.26	S, MX, 53
10	3600	215T	140681.00	✓	2,208	C215K34DB1	135	208-230	None	37.0	1.15	18.05	S, MX, 53
	1800	215TZ	140311.00	✓	2,229	C215K17DB4	140	230	None	43.0	1.25	19.76	S, MX, 53
	1800	215TZ	LM24684	✓	2,283	SSD4S10T1B600	140	208-230	None	43.0	1.15	19.76	S, MX, 53

▼ LM Numbers are Lincoln Models

5SPL - Breakdown torque of 5 HP, continuous duty as 3 HP motor

C/A - Check Availability

Specifications are subject to change without notice

♥ Note listing on inside back flap

View On-line Technical Information



Explosion Proof
Motors

Automotive
Duty Motors

Pump
Motors

Washguard
Motors

Agricultural
Motors

HVAC / Fan
Motors

Special Voltage
Motors

Definite
Purpose Motors

Brake Motors

Definite Purpose Motors

Compressor Duty Motors

Compressor, Pump and Fan & Blower Duty

Three Phase - Drip-Proof - Rigid Base

HP	RPM 60 Hz	NEMA Frame	▼ Catalog Number	Stock	List Price	Model Number	App. Wgt. (lbs)	Voltage	F. L. Amps @ 230 V	% F.L. Eff.	Service Factor	"C" Dim. (Inches)	Inverter Speed Range	♥Notes
1	1800	143T	121003.00	√	652	C143T17DB10	36	208-230/460	3.2	85.5	1.25	12.10	S, US	S, US
	1800	143T	LM24871	√	538	SSD4B1T6	35	208-230/460	3.2	85.5	1.25	12.00	S, MX	S, MX
1 1/2	1800	145T	121004.00	√	681	C145T17DB32	35	208-230/460	4.8	86.5	1.25	12.60	S, US	S, US
	1800	145T	LM24875	√	563	SSD4B1.5T6	45	208-230/460	4.4	86.5	1.25	13.00	S, MX	S, MX
2	1800	145T	121005.00	√	771	C145T17DB33	37	208-230/460	5.8	86.5	1.25	13.60	S, US	S, US
	1800	145T	LM24169	√	623	SSD4B2T6	48	208-230/460	6.0	86.5	1.25	11.50	S, MX	S, MX
3	1800	182T	131519.00	√	789	C182T17DB37	75	208-230/460	7.8	89.5	1.25	13.70	S, MX	S, MX
	1800	182T	LM24222	√	812	SSD4B3T61	75	208-230/460	8.0	89.5	1.25	13.20	S, MX	S, MX
5	1800	184T	131520.00	√	889	C184T17DB44	86	208-230/460	12.8	89.5	1.25	14.70	S, MX	S, MX
	1800	184T	LM24202	√	910	SSD4B5T61	91	208-230/460	12.6	89.5	1.25	14.20	S, MX	S, MX
7 1/2	1800	213T	140470.00	√	1,115	C213T17DB2	133	208-230/460	20.6	91.0	1.25	16.30	S, MX	S, MX
	1800	213T	LM24194	√	1,282	SSD4B7.5T6	125	208-230/460	19.2	91.0	1.25	18.50	S, US	S, US
10	1800	215T	140472.00	√	1,317	C215T17DB15	144	208-230/460	26.8	91.7	1.25	17.30	S, MX	S, MX
	1800	215T	LM24193	√	1,432	SSD4B10T6	155	208-230/460	25.0	91.7	1.25	18.50	S, US	S, US
20	1800	256T	170006.60	√	2,269	C256T17DB5	324	208-230/460	51.0	93.0	1.25	22.60	C, CN	C, CN
	1800	256T	LM24199	√	2,464	CCD4B20T6	350	208-230/460	48.0	93.0	1.25	24.40	C, US	C, US

Green items are Premium Efficient

♥ Note listing on inside back flap

▼ LM Numbers are Lincoln Models

C/A - Check Availability

Specifications are subject to change without notice

Three Phase - TEFC - Rigid Base

HP	RPM 60 Hz	NEMA Frame	▼ Catalog Number	Stock	List Price	Model Number	App. Wgt. (lbs)	Voltage	F. L. Amps @ 230 V	% F.L. Eff.	Service Factor	"C" Dim. (Inches)	♥Notes
3	1800	182T	131463.00	√	906	C182T17FB32	80	208-230/460	7.8	89.5	1.15	14.96	S, MX
	1800	182T	LM32741	√	906	SSF4B3T61	77	208-230/460	7.8	89.5	1.15	13.96	S, MX
5	1800	182T	131464.00	√	996	C184T17FB42	94	208-230/460	12.8	89.5	1.15	15.96	S, MX
	1800	182T	LM33266	√	996	SSF4B5T61	85	208-230/460	12.6	89.5	1.15	14.96	S, MX
7 1/2	1800	213T	140450.00	√	1,280	C213T17FB6	144	208-230/460	21.4	91.7	1.25	18.70	S, MX
	1800	213T	LM32805	√	1,182	SSF4B7.5T6	115	208-230/460	19.4	91.7	1.25	20.23	S, US
10	1800	215T	140451.00	√	1,548	C215T17FB18	161	208-230/460	26.6	91.7	1.25	19.70	S, MX
	1800	215T	LM32809	√	1,460	SSF4B10T6	135	208-230/460	26.0	91.7	1.25	21.48	S, US
15	1800	254T	170066.60	√	2,283	C254T17FB10	280	208-230/460	36.0	92.4	1.25	23.19	C, CN
	1800	254T	LM24208	√	2,550	CCF4B15T6	322	208-230/460	37.5	92.4	1.25	25.27	C, US
20	1800	256T	170007.60	√	2,856	C256T17FB4	322	208-230/460	49.0	93.0	1.15	24.92	C, CN

Green items are Premium Efficient

♥ Note listing on inside back flap

▼ LM Numbers are Lincoln Models

C/A - Check Availability

Specifications are subject to change without notice



View On-line Technical Information



Definite Purpose Motors

Pressure Washer Motors

Motors specially suited for hot or cold pressure washer applications and other single phase installations requiring minimum starting and running amperages.



Mechanical Features:

- Double shielded ball bearings
- Dynamically balanced rotors

Electrical Features:

- Windings dipped in heavy duty varnish system
- Capacitor start / capacitor run designs to reduce amp draw
- Manual reset overload protection
- High service factor

Single Phase - Drip-Proof - Rigid Base

HP	RPM 60 Hz	NEMA Frame	Catalog Number	Stock	List Price	Model Number	App. Wgt. (lbs)	Voltage	Over-load Prot.	F. L. Amps @ 230 V	Service Factor	"C" Dim. (Inches)	Notes
3/4	3600	S56	100053.00	✓	435	M4C34DH3	24	115/208-230	Man.	4.9	1.25	10.49	S, MX
	1800	S56	101544.00	C/A	629	M4K17DH2	28	115/208-230	Man.	4.0	1.25	11.24	S, US, 53
1	3600	56	110097.00	✓	450	M6C34DB3	27	115/208-230	Man.	6.0	1.25	10.84	S, US
	1800	56	113630.00	✓	683	M6K17DB33	31	115/208-230	Man.	5.3	1.15	10.84	S, US, 53
1 1/2	3600	56	113631.00	✓	597	M6K34DB15	36	115/208-230	Man.	6.2	1.15	11.34	S, US, 53
	1800	56H	113266.00	✓	796	M6K17DB30	42	115/208-230	Man.	6.7	1.15	12.38	S, US, 6, 53
	1800	145T	120004.00	✓	850	P145K17DB3	40	115/208-230	Man.	8.6	1.15	12.28	S, US, 53
2	3600	56	113632.00	✓	806	P6K34DB16	36	115/208-230	Man.	8.6	1.15	11.34	S, US, 53
	1800	56H	116704.00	✓	850	P6K17DB47	45	115/208-230	Man.	8.6	1.15	12.88	S, US, 6, 53
	1800	145T	120879.00	✓	894	P145K17DB38	53	115/208-230	Man.	8.6	1.15	13.31	S, US
3	3600	56H	116706.00	✓	857	M6C34DB75	39	230	Man.	15.0	1.00	12.38	S, US, 6, 53
	1800	184T	131851.00	C/A	1,057	C184K17DB40	72	208-230	Man.	13.7	1.15	15.22	S, MX, 9
5	3600	56H	116708.00	✓	876	P6K34DB26	45	230	Man.	20.8	1.00	13.34	S, US, 6, 53
	1800	184T	131622.00	✓	1,284	P184K17DB33	82	208-230	Man.	21.0	1.15	14.69	S, MX

C/A - Check Availability

♥ Note listing on inside back flap

Specifications are subject to change without notice

Single Phase - TEFC - Rigid Base

HP	RPM 60 Hz	NEMA Frame	Catalog Number	Stock	List Price	Model Number	App. Wgt. (lbs)	Voltage	Over-load Prot.	F. L. Amps @ 230 V	Service Factor	"C" Dim. (Inches)	Notes
3/4	3600	56	110108.00	✓	459	M6C34FB7	26	115/208-230	Man.	5.0	1.15	11.31	S, US
	1800	56	110022.00	✓	623	M6C17FB7	29	115/208-230	Man.	5.4	1.15	11.31	S, US
1	3600	56	110142.00	✓	561	M6C34FB2	28	115/208-230	Man.	6.0	1.15	11.81	S, US
	1800	56	110023.00	✓	705	M6C17FB8	29	115/208-230	Man.	6.4	1.15	11.81	S, US
	1800	143T	120008.00	✓	705	M143C17FB2	31	115/208-230	Man.	6.4	1.15	12.75	S, US
1 1/2	3600	56	110109.00	✓	772	M6C34FB8	31	115/208-230	Man.	8.5	1.00	12.31	S, US
	1800	56H	113333.00	✓	798	M6K17FB32	38	115/208-230	Man.	8.6	1.00	12.81	S, US, 6, 53
	1800	145T	120009.00	✓	798	M145K17FB2	42	115/208-230	Man.	8.6	1.00	13.25	S, US, 53
2	3600	56H	110402.00	✓	901	P6C34FB23	41	115/208-230	Man.	10.0	1.00	13.31	S, US, 6, 53
	3600	145T	120395.00	✓	910	P145C34FB5	44	115/208-230	Man.	10.0	1.00	13.75	S, US
	1800	145T	120867.00	✓	1,145	P145K17FB22	48	115/208-230	Man.	9.2	1.00	13.75	S, US, 53
3	3600	56H	116705.00	✓	939	P6K34FB31	53	230	Man.	14.0	1.00	13.81	S, US, 6, 53
	1800	184T	131855.00	✓	1,269	P184K17FB26	88	230	Man.	13.7	1.15	16.86	S, MX, 53
5	3600	184T	132042.00	✓	1,586	P184K34FB9	103	230	Man.	19.8	1.15	16.97	S, MX, 53
	1800	184T	131856.00	✓	1,475	P184K17FB25	95	230	Man.	21.0	1.00	17.86	S, MX, 53

Specifications are subject to change without notice

♥ Note listing on inside back flap

View On-line Technical Information



Explosion Proof Motors

Automotive Duty Motors

Pump Motors

Washguard Motors

Agricultural Motors

HVAC / Fan Motors

Special Voltage Motors

Definite Purpose Motors

Brake Motors

Definite Purpose Motors

Pressure Washer Motors

Single Phase - Drip-Proof - C Face With Base

HP	RPM 60 Hz	NEMA Frame	Catalog Number	Stock	List Price	Model Number	App. Wgt. (lbs)	Voltage	Over- load Prot.	F. L. Amps @ 230 V	Service Factor	"C" Dim. (Inches)	♥Notes
1 1/2	3600	56C	114214.00	✓	636	M6K34DK8	35	115/208-230	Man.	6.2	1.15	11.34	S, US
	1800	56HC	113700.00	✓	840	M6K17DK15	38	115/208-230	Man.	7.2	1.15	11.84	S, US, 6, 53
2	3600	56C	114215.00	✓	807	P6K34DK9	45	115/208-230	Man.	8.6	1.15	11.34	S, US
	1800	56HC	113281.00	✓	870	P6K17DK12	45	115/208-230	Man.	8.6	1.15	12.88	S, US, 6, 53
3	3600	56HC	116707.00	✓	881	M6C34DK5	41	230	Man.	15.0	1.00	12.38	S, US, 6, 53
	1800	184TC	131853.00	✓	1,057	C184K17DK18	87	208-230	Man.	15.4	1.15	15.96	S, MX, 53
5	3600	56HC	116709.00	✓	902	P6K34DK18	46	230	Man.	20.8	1.00	13.54	S, US, 6, 53
	1800	184TC	131630.00	✓	1,300	M184K17DK13	77	208-230	Man.	21.0	1.15	14.69	S, MX, 53

Specifications are subject to change without notice

♥ Note listing on inside back flap

Single Phase - TEFC - C Face With Base

HP	RPM 60 Hz	NEMA Frame	Catalog Number	Stock	List Price	Model Number	App. Wgt. (lbs)	Voltage	Over- load Prot.	F. L. Amps @ 230 V	Service Factor	"C" Dim. (Inches)	♥Notes
1/3	1800	56C	116485.00	C/A	637	M6C17FK81	29	115/208-230	Man.	3.2	1.15	10.81	S, US, 57
1/2	1800	56C	116486.00	✓	731	M6C17FK80	23	115/208-230	Man.	4.4	1.15	10.81	S, US, 53
3/4	1800	56C	116487.00	✓	850	M6C17FK79	30	115/208-230	Man.	5.4	1.15	11.31	S, US, 53
1	3600	56C	115877.00	✓	536	M6C34FK78	28	115/208-230	Man.	6.0	1.15	11.81	S, US
	1800	56C	115879.00	✓	715	M6C17FK80	32	115/208-230	Man.	6.4	1.15	11.81	S, US
1 1/2	3600	56C	115024.00	✓	728	M6K34FK16	35	115/208-230	Man.	6.2	1.15	12.31	S, US, 53
	1800	56HC	116703.00	✓	854	M6K17FK50	39	115/208-230	Man.	8.6	1.15	12.81	S, US
2	3600	56HC	114995.00	✓	867	P6K34FK15	42	115/208-230	Man.	9.2	1.15	13.31	S, US, 53
	1800	145TC	121465.00	✓	1,145	P145K17FK10	44	115/208-230	Man.	9.2	1.00	13.75	S, US
3	3600	56HC	115048.00	✓	948	P6K34FK17	53	208-230	Man.	14.0	1.00	13.81	S, US, 53
	1800	184TC	131857.00	✓	1,618	P14K17FK14	104	230	Man.	13.7	1.15	17.61	S, MX, 53
5	3600	184TC	131632.00	✓	1,626	P184K34FK2	103	230	Man.	19.8	1.15	16.97	S, MX
	1800	184TC	131633.00	✓	1,694	P184K17FK11	989	230	Man.	23.0	1.00	16.97	S, MX

C/A - Check Availability

♥ Note listing on inside back flap

Specifications are subject to change without notice



View On-line Technical Information



Definite Purpose Motors Woodworking Motors

General Specifications:

- Motors designed for woodworking equipment such as table saws, planers, etc.
- Totally enclosed
- Fully gasketed to prevent dust entry



Single Phase - TEFC - Rigid Base

HP	RPM 60 Hz	NEMA Frame	Catalog Number	Stock	List Price	Model Number	App. Wgt. (lbs)	Voltage	Over- load Prot.	F. L. Amps @ 230 V	Service Factor	"C" Dim. (Inches)	♥Notes
3/4	3600	56	110108.00	√	459	M6C34FB7	26	115/208-230	Man.	5.0	1.15	11.31	S, US
1	3600	56	110142.00	√	561	M6C34FB2	28	115/208-230	Man.	6.0	1.15	11.81	S, US
1 1/2	3600	56	110109.00	√	772	M6C34FB8	34	115/208-230	Man.	8.5	1.00	12.31	S, US
2	3600	56H	110402.00	√	901	P6C34FB23	41	115/208-230	Man.	10.0	1.00	13.31	S, US, 6
	3600	145T	120395.00	√	910	P145C34FB5	44	115/208-230	Man.	10.0	1.00	13.75	S, US
3	3600	145T	120341.00	√	934	C145K34FB3	46	230	None	13.0	1.00	14.25	S, US, 53

Specifications are subject to change without notice

♥ Note listing on inside back flap

Single Phase - TEFC - Rigid Base

HP	RPM 60 Hz	NEMA Frame	Catalog Number	Stock	List Price	Model Number	App. Wgt. (lbs)	Voltage	Over- load Prot.	F. L. Amps @ 230 V	Service Factor	"C" Dim. (Inches)	♥Notes
3	3600	145TC	120824.00	√	1,010	P145K34FC6	56	230	Man.	13.0	1.00	14.25	S, US, 53

Specifications are subject to change without notice

♥ Note listing on inside back flap

General Specifications:

- Extra high breakdown torque
- 8 ft. cord with 115V plug
- On/off toggle switch
- Replaces Delta motor 62-042

Table Saw Motor



Single Phase - TEFC - Rigid Base

HP	RPM 60 Hz	NEMA Frame	Catalog Number	Stock	List Price	Model Number	App. Wgt. (lbs)	Voltage	Over- load Prot.	F. L. Amps @ 230 V	Service Factor	"C" Dim. (Inches)	♥Notes
1 1/2	3600	56	113627.00	√	926	M6C34FB63	39	115/230	Man.	7.5	1.00	12.31	S, US

Specifications are subject to change without notice

♥ Note listing on inside back flap

View On-line Technical Information



Explosion Proof
Motors

Automotive
Duty Motors

Pump
Motors

Washguard
Motors

Agricultural
Motors

HVAC / Fan
Motors

Special Voltage
Motors

Definite
Purpose Motors

Brake Motors

Definite Purpose Motors

Contractors' Saw Motors

General Specifications:

- Motor pivots on rod for belt tensioning
- Extra high breakdown torques for maximum cutting power
- ¾" Dia. Shaft, 1 ¾" long with keyway
- Includes 54 inch cord
- Motors 120925.00 and 120997.00 replaces Delta UNISAW® motor 83-621(1 ½ HP)
- Motors 120728.00 and 120998.00 replaces Delta UNISAW® motor 83-651 (3 HP)



Single Phase - TEFC - Delta UNISAW® Mounting

HP	RPM 60 Hz	NEMA Frame	Catalog Number	Stock	List Price	Model Number	App. Wgt. (lbs)	Voltage	F. L. Amps @ 230 V	Service Factor	"C" Dim. (Inches)	♥Notes
1 1/2	3600	143Y	120925.00	√	829	C143C34FB5	44	115/230	10.0	1.00	12.68	S, US
2	3600	143Y	120997.00	√	909	C143C34FB6	44	115/230	11.0	1.00	12.68	S, US
3	3600	145Y	120728.00	√	1,160	C145K34FB12	52	230	13.0	1.00	13.68	S, US, 53
4	3600	145Y	120998.00	√	1,211	C145K34FB16	48	230	17.6	1.00	13.68	S, US, 53

UNISAW® is a registered trademark of Delta International.
Specifications are subject to change without notice

♥ Note listing on inside back flap

Contractors' Power Tool Motors

General Specifications:

- Designed for woodworking applications
- Electronic starting switch
- High starting and breakdown torques
- 48 frame model has 1-1/2" long shaft by 1/2" Dia.
- 56 frame models have a 1-7/8" long shaft by 5/8" Dia.
- Shaft extensions, each end, include keyway and flat, 90° apart



Single Phase - Drip Proof - Rigid Base - Double-Shaft

HP	RPM 60 Hz	NEMA Frame	Catalog Number	Stock	List Price	Model Number	App. Wgt. (lbs)	Voltage	F. L. Amps @ 230 V	Service Factor	"C" Dim. (Inches)	♥Notes
1/2	1800	S56Z	101781.00	√	551	C4C17DH106	17	115/208-230	4.4	1.25	12.43	S, US
3/4	3600	48Z	101782.00	√	566	C4C34DB15	24	115/208-230	4.9	1.25	12.18	S, US
1	3600	56Z	114216.00	√	592	C6C34DB71	27	115/208-230	6.0	1.25	12.81	S, US

Specifications are subject to change without notice

♥ Note listing on inside back flap



View On-line Technical Information



Definite Purpose Motors Instant Reversing Motors

Parking Gates, Door Operators & Slide Gates

General Specifications:

Specially designed motors for use on "instant-reversing" parking gates, doors, slide gates, or other moderate starting torque instant reversing applications. Capable of frequent reversing service.

Features:

- Instant "plug-reversing" with simple three-wire connection
- Manual overload protected
- Approx. 150% starting torque - not suitable for hard start applications

Features (Rigid Base):

- Capacitor start, induction run motors with solid state, instant reversing switch
- Manual overload protected



Single Phase - Drip-Proof - Resilient Base

HP	RPM 60 Hz	NEMA Frame	Catalog Number	Stock	List Price	Model Number	App. Wgt. (lbs)	Voltage	Over- load Prot.	F. L. Amps @ 230 V	Service Factor	"C" Dim. (Inches)	♥Notes
1/3	1625	S56	191742.00	D	508	M4P17DJ21	18	115	Man.	4.0	1.00	10.31	S, CN
	1625	S56	103794.00	✓	508	M4P17DJ29	18	115	Man.	4.2	1.00	10.81	S, MX
1/2	1625	S56	100802.00	✓	561	M4P17DJ7	24	115	Man.	6.1	1.00	11.31	S, MX
	1625	S56	103460.00	✓	416	5KCP35JNC128	22	115	Man.	5.0	1.00	9.94	S, MX
	1625	S56	191743.00	D	571	M4P17DJ22	24	115	Man.	4.6	1.00	10.31	S, CN, 47
	1625	S56	103821.00	✓	571	M4P17DJ33	25	115	Man.	5.1	1.00	10.81	S, MX, 47
3/4	1625	56H	113642.00	✓	669	M6P17DR4	33	115	Man.	8.2	1.00	11.31	S, US

Note 47 - Rated at 50 HZ at full rated HP

D - To be Discontinued once inventory is depleted
Specifications are subject to change without notice

♥ Note listing on inside back flap

Continued On Next Page

View On-line Technical Information



Explosion Proof
Motors

Automotive
Duty Motors

Pump
Motors

Washguard
Motors

Agricultural
Motors

HVAC / Fan
Motors

Special Voltage
Motors

Definite
Purpose Motors

Brake Motors

Definite Purpose Motors

Instant Reversing Motors

Features (Resilient Base and C Face):

- Instant "plug-reversing" with simple three-wire connection
- Manual overload protected
- Approx. 150% starting torque - not suitable for hard start applications



Single Phase - Drip-Proof - C Face Less Base

HP	RPM 60 Hz	NEMA Frame	Catalog Number	Stock	List Price	Model Number	App. Wgt. (lbs)	Voltage	Over- load Prot.	F. L. Amps @ 230 V	Service Factor	"C" Dim. (Inches)	♥Notes
1/3	1625	S56C	102017.00	√	500	M4P17DC29	18	115	Man.	4.2	1.00	9.99	S, MX
1/2	1625	S56C	102021.00	√	561	M4P17DC30	22	115	Man.	6.1	1.00	10.49	S, MX
	1625	S56C	100704.00	√	561	M4P17DC7	16	115	Man.	4.1	1.00	10.24	S, MX, *

Note * - Motor has same electrical design as 102017, but is rated for intermittent duty.

♥ Note listing on inside back flap

Specifications are subject to change without notice

Features:

- Capacitor start, induction run motors with solid state, instant reversing switch
- Manual overload protected



Single Phase - TEFC - Rigid Base

HP	RPM 60 Hz	NEMA Frame	Catalog Number	Stock	List Price	Model Number	App. Wgt. (lbs)	Voltage	Over- load Prot.	F. L. Amps @ 230 V	Service Factor	"C" Dim. (Inches)	♥Notes
3/4	1800	56	114932.00	√	719	P6C17FB113	30	115/208-230	Man.	5.4	1.15	11.31	S, MX
1	1800	56	114933.00	√	786	P6C17FB112	30	115/208-230	Man.	6.4	1.15	11.81	S, MX

Specifications are subject to change without notice

♥ Note listing on inside back flap



View On-line Technical Information

Definite Purpose Motors

Boat Hoist Duty Motors

Our Electra Gear line of Boat Hoist Duty motors provide customized features that are needed to support the Boat Hoist Industry.

Features Include:

- Stainless steel frame, base, capacitor case and conduit box cover
- 15 minute duty cycle
- Drain holes located at 6:00 position
- TENV enclosure
- Die cast Aluminum endbells
- Capacitor case located at 12:00
- 115/230 Volt – 1.15 S.F.
- UL recognized component listing and CSA approved



Single Phase - TENV - C Face With Base

HP	RPM 60 Hz	NEMA Frame	Catalog Number	Stock	List Price	Model Number	App. Wgt. (lbs)	Voltage	F. L. Amps @ 230 V	"C" Dim. (Inches)	♥Notes
1/2	1800	56C	6439191250	✓	430	6439191250	23	115/208-230	4.1	10.5	S, CN
3/4	1800	56C	6439191251	✓	465	6439191251	26	115/208-230	4.9	11.1	S, CN
1	1800	56C	6439191252	✓	506	6439191252	33	115/208-230	6.8	11.7	S, CN
1 1/2	1800	56C	6439191253	✓	590	6439191253	47	115/208-230	8.4	12.6	S, CN

Specifications are subject to change without notice

♥ Note listing on inside back flap

Single Phase - TENV - C Face Less Base

HP	RPM 60 Hz	NEMA Frame	Catalog Number	Stock	List Price	Model Number	App. Wgt. (lbs)	Voltage	F. L. Amps @ 230 V	"C" Dim. (Inches)	♥Notes
1/2	1800	56C	6439191260	✓	417	6439191260	22	115/208-230	4.1	10.5	S, CN
3/4	1800	56C	6439191261	✓	453	6439191261	24	115/208-230	4.9	11.1	S, CN
1	1800	56C	6439191262	✓	494	6439191262	32	115/208-230	6.8	11.7	S, CN
1 1/2	1800	56C	6439191263	✓	576	6439191263	46	115/208-230	8.4	12.6	S, CN
2	1800	56C	6439191264	✓	650	6439191264	48	115/208-230	9	13.4	S, CN

Specifications are subject to change without notice

♥ Note listing on inside back flap

View On-line Technical Information



- Explosion Proof Motors
- Automotive Duty Motors
- Pump Motors
- Washguard Motors
- Agricultural Motors
- HVAC / Fan Motors
- Special Voltage Motors
- Definite Purpose Motors
- Brake Motors

Definite Purpose Motors

Two-Speed Motors

Three Phase - Variable and Constant Torque Designs

General Specifications:

Two-speed, single winding design motors. See pages 197 and 198 for typical applications and characteristic speed torque curves.



Variable Torque - 460 Volt - One Winding - TEFC - Rigid Base - 1800/900 RPM

HP	RPM 60 Hz	NEMA Frame	Catalog Number	Stock	List Price	Model Number	App. Wgt. (lbs)	Voltage	F. L. Amps @ 460 V	Service Factor	"C" Dim. (Inches)	♥Notes
1/25	1800/900	143T	120945.00	C/A	951	C143T48FB7	36	460	1.6-0.7	1.00	12.75	S, US
1.5/37	1800/900	145T	120941.00	√	990	C145T48FB60	36	460	2.4-1.0	1.00	12.75	S, US
2/5	1800/900	145T	120940.00	C/A	1,154	C145T48FB48	36	460	3.2-1.3	1.00	12.75	S, US
3/7.5	1800/900	184T	131474.00	C/A	1,236	C184T48FB67	77	460	4.0-1.8	1.00	14.46	S, MX
5/1.2	1800/900	184T	131475.00	√	1,577	C184T48FB68	107	460	6.5-2.5	1.00	15.96	S, MX
7.5/1.9	1800/900	215T	140447.00	√	2,223	C215T48FB46	155	460	9.7-3.3	1.00	17.71	S, MX
10/2.5	1800/900	215T	140448.00	√	2,618	C215T48FB48	168	460	12.7-4.2	1.00	18.71	S, MX

C/A - Check Availability

♥ Note listing on inside back flap

Specifications are subject to change without notice

Variable Torque - 208-230 Volt - One Winding - TEFC - Rigid Base - 1800/900 RPM

HP	RPM 60 Hz	NEMA Frame	Catalog Number	Stock	List Price	Model Number	App. Wgt. (lbs)	Voltage	F. L. Amps @ 230 V	Service Factor	"C" Dim. (Inches)	♥Notes
1/25	1800/900	143T	120944.00	C/A	951	C143T48FB6	36	208-230	3.2-1.4	1.00	12.75	S, US
1.5/37	1800/900	145T	120947.00	C/A	992	C145T48FB61	36	208-230	4.8-2.0	1.00	12.75	S, US
2/5	1800/900	145T	120946.00	√	1,154	C145T48FB59	35	208-230	6.3-2.6	1.00	12.75	S, US
3/7.5	1800/900	184T	131468.00	√	1,236	C184T48FB61	78	208-230	8.0-3.6	1.00	14.46	S, MX
5/1.2	1800/900	184T	131469.00	√	1,577	C184T48FB62	94	208-230	13.0-5.0	1.00	15.96	S, MX
7.5/1.9	1800/900	215T	140443.00	C/A	2,244	C215T48FB45	154	208-230	19.4-6.6	1.00	17.71	S, MX
10/2.5	1800/900	215T	140444.00	C/A	2,618	C215T48FB47	166	208-230	25.4-8.4	1.00	18.71	S, MX

C/A - Check Availability

♥ Note listing on inside back flap

Specifications are subject to change without notice

Constant Torque - 460 Volt - One Winding - TEFC - Rigid Base - 1800/900 RPM

HP	RPM 60 Hz	NEMA Frame	Catalog Number	Stock	List Price	Model Number	App. Wgt. (lbs)	Voltage	F. L. Amps @ 460 V	Service Factor	"C" Dim. (Inches)	♥Notes
1/5	1800/900	143T	120943.00	C/A	1,356	C143T48FB9	36	460	1.4-1.6	1.00	13.25	S, US
2/1	1800/900	184T	131471.00	√	1,733	C184T48FB64	68	460	2.9-2.9	1.00	13.96	S, MX
3/1.5	1800/900	184T	131470.00	√	1,967	C184T48FB63	80	460	3.8-3.5	1.00	14.96	S, MX
5/2.5	1800/900	215T	140445.00	C/A	2,571	C215T48FB43	145	460	6.7-7.0	1.00	17.71	S, MX

C/A - Check Availability

♥ Note listing on inside back flap

Specifications are subject to change without notice

Constant Torque - 208-230 Volt - One Winding - TEFC - Rigid Base - 1800/900 RPM

HP	RPM 60 Hz	NEMA Frame	Catalog Number	Stock	List Price	Model Number	App. Wgt. (lbs)	Voltage	F. L. Amps @ 230 V	Service Factor	"C" Dim. (Inches)	♥Notes
1/5	1800/900	143T	120942.00	C/A	1,356	C143T48FB8	37	208-230	3.2-4.2	1.00	12.75	S, US
2/1	1800/900	184T	131473.00	C/A	1,733	C184T48FB66	69	208-230	5.8-5.7	1.00	13.96	S, MX
3/1.5	1800/900	184T	131472.00	√	1,967	C184T48FB65	80	208-230	7.6-6.9	1.00	14.96	S, MX
5/2.5	1800/900	215T	140446.00	C/A	2,571	C215T48FB44	137	208-230	13.4-14.0	1.00	17.71	S, MX

C/A - Check Availability

♥ Note listing on inside back flap

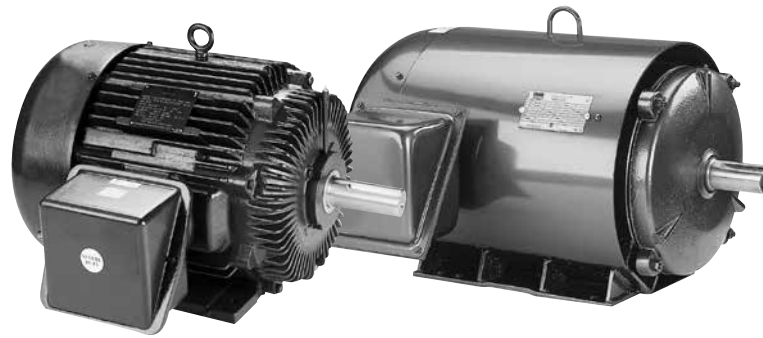
Specifications are subject to change without notice



View On-line Technical Information

Definite Purpose Motors

Crusher Duty



Applications:

Ideally suited for size reduction equipment including rock crushers and pulverizers and other uses in the aggregate and construction industries. Crusher Duty motors are designed for belted (radial) loads only.

Features:

- Drive end roller bearing
- Superior speed-torque curves - most SF (Rolled Steel TEFC) models nameplated Design B & C. all CCS (Cast Iron Severe Duty) models labeled Design C.
- Inverter-rated
- Continuous duty
- Premium Class F insulation system
- Across-the-line, Y-Delta (YDS) and Part Winding (PWS) start capability
- Installation versatility - mount Lincoln Crusher Duty motors horizontal or vertical shaft down
- Over temperature protection – Class F thermostats
- Drive-end roller bearing for belted load applications
- 4140 grade high strength shaft material

Ratings Include:

Cast Iron and Steel frame construction
100 to 300 HP in 4 and 6-pole designs
350 - 400 HP in 4-pole designs

Contact your local sales office for a quote. Higher HP ratings are also available.

Explosion Proof
Motors

Automotive
Duty Motors

Pump
Motors

Washguard
Motors

Agricultural
Motors

HVAC / Fan
Motors

Special Voltage
Motors

Definite
Purpose Motors

Brake Motors



Definite Purpose Motors

Hydraulic Elevator Duty Motors

Applications:

Hydraulic pump passenger, service, freight, and dumbwaiter low rise elevators. Typically hydraulic elevators travel up to 6 floors at speeds up to 200 fpm.

Features:

- Dual rated nameplates for 80 & 120 starts/hour
- Designed for belt driven pumps
- Wye Start/Delta Run
- Class F Insulated
- 40° C ambient
- F-1 mounting
- Ball bearings with grease fittings and automatic relief
- NEMA dimensions
- UL recognized component listing and CSA approved
- Constructed for low noise and low vibration



Three Phase - Drip-Proof - Rigid Base - 80 Starts Per Hour

HP	RPM 60 Hz	NEMA Frame	▼ Catalog Number	Stock	List Price	Model Number	App. Wgt. (lbs)	Voltage	% F. L. Nom. Eff.	80 Starts F.L. Amps	Locked Rotor Amps	♥ Notes
15	3600	213T	LM30092	C/A	1279	SSD2P10/15T61YEH2	149	230/460	88.5	36	162/81	S, US
	1800	215T	LM28867	√	1174	SSD4G10/15T6006YEH2	128	200	89.5	45	170	S, US
	1800	215T	LM28868	√	1174	SSD4S10/15T61YEH2	124	230/460	89.5	39.2/19.6	148/74	S, US
20	3600	215T	LM30093	√	1670	SSD2P15/20T6006YEH2	135	200	90.2	53	267	S, US
	3600	215T	LM30094	√	1670	SSD2P15/20T61YEH2	138	230/460	90.2	46/23	232/116	S, US
	1800	254T	LM28873	√	1601	SSD4G15/20T6006YEH2	203	200	91.0	59	267	S, US
20	1800	254T	LM28874	√	1601	SSD4G15/20T61YEH2	205	230/460	91.0	51.4/25.7	232/116	S, US
	3600	254T	LM30095	√	2118	SSD2P20/25T6006YEH2	128	200	91.0	67	334	S, US
	3600	254T	LM30096	√	2118	SSD2P20/25T61YEH2	134	230/460	91.0	58/29	290/145	S, US
25	1800	256T	LM28879	√	2024	SSD4G20/25T6006YEH2	233	200	91.0	74	368	S, US
	1800	256T	LM28880	√	2024	SSD4G20/25T61YEH2	233	230/460	91.0	64/32	320/160	S, US
	30	3600	256T	LM30097	√	2547	SSD2P25/30T6006YEH2	235	200	91.0	80	419
30	3600	256T	LM30098	√	2547	SSD2P25/30T61YEH2	235	230/460	91.0	69/34.5	364/182	S, US
	1800	284T	LM29850	√	2674	CCD4G25/30T6006YEH2	300	200	91.7	84	391	S, US
	1800	284T	LM29851	√	2674	CCD4G25/30T61YEH2	318	230/460	90.2	73/36.5	340/170	S, US
	1800	284T	LM33046	√	3061	CCD4B25/30T61YEH2	320	230/460	94.1	73/36.5	360/180	S, US

▼ LM Numbers are Lincoln Models

♥ Note listing on inside back flap

C/A - Check Availability

Continued On Next Page

Specifications are subject to change without notice



View On-line Technical Information

Definite Purpose Motors

Hydraulic Elevator Duty Motors

Three Phase - Drip-Proof - Rigid Base - 80 Starts Per Hour

HP	RPM 60 Hz	NEMA Frame	▼ Catalog Number	Stock	List Price	Model Number	App. Wgt. (lbs)	Voltage	% F. L. Nom. Eff.	80 Starts F.L. Amps	Locked Rotor Amps	♥Notes	
40	3600	284T	LM30099	✓	3280	CCD2P30/40T6006YEH2	320	200	91.7	112	460	S, US	
			LM30100	✓	3280	CCD2P30/40T61YEH2	322	230/460	91.7	97/48.5	400/200	S, US	
	1800	286T	LM29852	✓	3101	CCD4G30/40T6006YEH2	450	200	92.4	112	495	S, US	
			LM29853	✓	3101	CCD4G30/40T61YEH2	600	230/460	92.4	97/48.5	430/215	S, US	
50	3600	286T	LM33048	C/A	3550	CCD4B30/40T61YEH2	610	230/460	94.1	96/48	416/208	S, US	
			LM30102	C/A	4190	CCD2P40/50T61YEH2	462	230/460	92.4	117/58.5	580/290	S, US	
	1800	324T	LM28897	✓	4150	SD4G40/50T6006YEH2	550	200	92.4	145	630	S, US	
			LM28898	✓	4150	SD4G40/50T61YEH2	552	230/460	92.4	126/63	548/274	S, US	
			LM32651	✓	4752	SD4B40/50T61YEH2	554	230/460	94.5	125/62.5	530/265	S, US	
	60	1800	326T	LM28903	✓	4610	SD4G50/60T6006YEH2	519	200	92.4	176	794	S, US
				LM28904	C/A	4610	SD4G50/60T61YEH2	530	230/460	92.4	153/76.5	690/345	S, US
LM32663				✓	5277	SF4B50/60T61YEH2	535	230/460	93.6	151/75.5	650/325	S, US	
75	1800	364T	LM28909	C/A	6891	SD4G60/75T6006YEH2	693	200	93.6	206	1000	S, US	
			LM28910	✓	6891	SD4S60/75T61YEH2	709	230/460	93.6	179/89.5	870/435	S, US	
100	1800	365T	LM28914	C/A	7276	SD4G75/100T61YEH2	754	230/460	94.1	250/125	1084/542	S, US	

▼ LM Numbers are Lincoln Models

♥ Note listing on inside back flap

C/A - Check Availability

Specifications are subject to change without notice

Explosion Proof
Motors

Automotive
Duty Motors

Pump
Motors

Washguard
Motors

Agricultural
Motors

HVAC / Fan
Motors

Special Voltage
Motors

Definite
Purpose Motors

Brake Motors

View On-line Technical Information



Definite Purpose Motors

Hydraulic Elevator Duty Motors

Three Phase - Drip-Proof - Rigid Base - 120 Starts Per Hour

HP	RPM 60 Hz	NEMA Frame	▼ Catalog Number	Stock	List Price	Model Number	App. Wgt. (lbs)	Voltage	% F. L. Nom. Eff.	120 Starts F.L. Amps	Locked Rotor Amps	♥Notes
10	3600	213T	LM30092	C/A	1279	SSD2P10/15T61YEH2	149	230/460	88.5	36	162/81	S, US
	1800	215T	LM28867	✓	1174	SSD4G10/15T6006YEH2	128	200	89.5	45	170	S, US
	1800	215T	LM28868	✓	1174	SSD4S10/15T61YEH2	124	230/460	89.5	39.2/19.6	148/74	S, US
15	3600	215T	LM30093	✓	1670	SSD2P15/20T6006YEH2	135	200	90.2	53	267	S, US
	3600	215T	LM30094	✓	1670	SSD2P15/20T61YEH2	138	230/460	90.2	46/23	232/116	S, US
	1800	254T	LM28873	✓	1601	SSD4G15/20T6006YEH2	203	200	91.0	59	267	S, US
20	1800	254T	LM28874	✓	1601	SSD4G15/20T61YEH2	205	230/460	91.0	51.4/25.7	232/116	S, US
	3600	254T	LM30095	✓	2118	SSD2P20/25T6006YEH2	128	200	91.0	67	334	S, US
	3600	254T	LM30096	✓	2118	SSD2P20/25T61YEH2	134	230/460	91.0	58/29	290/145	S, US
25	1800	256T	LM28879	✓	2024	SSD4G20/25T6006YEH2	233	200	91.0	74	368	S, US
	1800	256T	LM28880	✓	2024	SSD4G20/25T61YEH2	233	230/460	91.0	64/32	320/160	S, US
	3600	256T	LM30097	✓	2547	SSD2P25/30T6006YEH2	235	200	91.0	80	419	S, US
30	3600	256T	LM30098	✓	2547	SSD2P25/30T61YEH2	235	230/460	91.0	69/34.5	364/182	S, US
	1800	284T	LM29850	✓	2674	CCD4G25/30T6006YEH2	300	200	91.7	84	391	S, US
	1800	284T	LM29851	✓	2674	CCD4G25/30T61YEH2	318	230/460	90.2	73/36.5	340/170	S, US
40	1800	284T	LM33046	✓	3061	CCD4B25/30T61YEH2	320	230/460	94.1	73/36.5	360/180	S, US
	3600	284T	LM30099	✓	3280	CCD2P30/40T6006YEH2	320	200	91.7	112	460	S, US
	3600	284T	LM30100	✓	3280	CCD2P30/40T61YEH2	322	230/460	91.7	97/48.5	400/200	S, US
50	1800	286T	LM29852	✓	3101	CCD4G30/40T6006YEH2	450	200	92.4	112	495	S, US
	1800	286T	LM29853	✓	3101	CCD4G30/40T61YEH2	600	230/460	92.4	97/48.5	430/215	S, US
	1800	286T	LM33048	C/A	3550	CCD4B30/40T61YEH2	610	230/460	94.1	96/48	416/208	S, US
60	3600	286T	LM30102	C/A	4190	CCD2P40/50T61YEH2	462	230/460	92.4	117/58.5	580/290	S, US
	1800	324T	LM28897	✓	4150	SD4G40/50T6006YEH2	550	200	92.4	145	630	S, US
	1800	324T	LM28898	✓	4150	SD4G40/50T61YEH2	552	230/460	92.4	126/63	548/274	S, US
75	1800	324T	LM32651	✓	4752	SD4B40/50T61YEH2	554	230/460	94.5	125/62.5	530/265	S, US
	1800	326T	LM28903	✓	4610	SD4G50/60T6006YEH2	519	200	92.4	176	794	S, US
	1800	326T	LM28904	✓	4610	SD4G50/60T61YEH2	530	230/460	92.4	153/76.5	690/345	S, US
80	1800	326T	LM32663	✓	5277	SF4B50/60T61YEH2	535	230/460	93.6	151/75.5	650/325	S, US
	1800	364T	LM28909	C/A	6891	SD4G60/75T6006YEH2	693	200	93.6	206	1000	S, US
	1800	364T	LM28910	✓	6891	SD4S60/75T61YEH2	709	230/460	93.6	179/89.5	870/435	S, US
85	1800	365T	LM28914	C/A	7276	SD4G75/100T61YEH2	754	230/460	94.1	250/125	1084/542	S, US

▼ LM Numbers are Lincoln Models

♥ Note listing on inside back flap

C/A - Check Availability

Specifications are subject to change without notice



View On-line Technical Information



VVVF (Variable Voltage-Variable Frequency) Traction Elevator Hoist Motors

Applications:

Designed for Geared and Gearless Traction Elevators, 100 fpm to 500 fpm operation and up to 12 or 15 floors.

Features:

- Dynamic balanced for low vibration operation
- Normally closed thermostats, one per phase
- Low noise design
- Steel frame construction with cast iron endbells
- Class F Insulated, 40° C ambient
- EAct efficiency or better
- 1.0 service factor
- 1024 PPR encoder, with 1-inch shaft bore standard
- F1 mounting
- 1000:1 inverter duty capability



Three Phase - Drip-Proof - Rigid Base with Encoder

HP	SYN RPM	No. of Poles	Frame	▼ Catalog Number	Stock	List Price	Model Number	App. Wgt. (lbs)	HZ	Voltage	F. L. Amps	Rated Accel. Torque	♥ Notes
7 1/2	1200	6	254T	LM28114	✓	3,681	SD6P7.5T61ET1	221	60	230/460	24/12	225%	S, US
	1200	6	254T	LM28115	✓	3,681	SD6P7.5T6006ET1	221	60	200	28	225%	S, US
	1200	4	254T	LM28116	C/A	3,610	SD4P7.5T41ET1	200	40	230/460	19/9.5	275%	S, US
	1200	4	254T	LM28117	C/A	3,610	SD4P7.5T4006ET1	200	40	200	22	275%	S, US
	900	4	256T	LM28118	C/A	4,009	SD4P7.5T31ET1	278	30	230/460	19.6/9.8	275%	S, US
	900	4	256T	LM28119	C/A	4,009	SD4P7.5T3006ET1	278	30	200	23	275%	S, US
10	1200	6	256T	LM28120	✓	4,091	SSD6P10T61ET1	214	60	230/460	24/12	250%	S, US
	1200	6	256T	LM28121	✓	4,091	SD6P10T6006ET1	214	60	200	28	250%	S, US
	1200	4	256T	LM28122	C/A	4,009	SD4P10T41ET1	232	40	230/460	19/9.5	275%	S, US
	1200	4	256T	LM28123	C/A	4,009	SSD4P10T4006ET1	232	40	200	22	275%	S, US
	900	4	284T	LM28124	C/A	4,747	SD4P10T31ET1	280	30	230/460	19.6/9.8	330%	S, US
	900	4	284T	LM28125	C/A	4,747	SD4P10T3006ET1	280	30	200	23	330%	S, US
12 1/2	1200	6	284T	LM31393	C/A	4,886	SD6P12.5T61ET1	338	60	230/460	42/21	300%	S, US
	1200	6	284T	LM30676	✓	4,886	SD6P12.5T6006YET1	338	60	200	48.5	300%	S, US
	900	4	284T	LM30677	C/A	5,153	SD4P12.5T31ET1	365	30	230/460	34/17	300%	S, US
	900	4	284T	LM30678	C/A	5,153	SD4P12.5T3006ET1	365	30	200	38.5	300%	S, US
15	1800	4	256T	LM30679	C/A	4,091	SD4P15T61ET1	233	60	230/460	—	—	S, US
	1800	4	256T	LM30680	C/A	4,091	SD4P15T6006ET1	233	60	200	—	—	S, US
	1200	6	284T	LM28126	✓	5,822	SD6S15T61YET1	341	60	230/460	49/24.5	300%	S, US
	1200	6	284T	LM28127	C/A	5,822	SD6G15T6006YET1	338	60	200	56.5	300%	S, US
	1200	4	284T	LM28128	C/A	4,747	SD4P15T41ET1	344	40	230/460	40/20	330%	S, US
	1200	4	284T	LM28129	C/A	4,747	SD4P15T4006ET1	344	40	200	46	330%	S, US
	900	4	286T	LM30535	C/A	6,556	SD4S15T31YET1	392	30	230/460	40/20	300%	S, US
	900	4	286T	LM28131	C/A	5,558	SD4P15T3006ET1	392	30	200	46	300%	S, US
20	1800	4	256T	LM30681	C/A	4,505	SD4P20T61ET1	240	60	230/460	—	—	S, US
	1800	4	256T	LM30682	C/A	4,505	SD4P20T6006ET1	240	60	200	—	—	S, US

▼ LM Numbers are Lincoln Models

C/A - Check Availability

Specifications are subject to change without notice

♥ Note listing on inside back flap

Continued On Next Page

View On-line Technical Information



Explosion Proof Motors

Automotive Duty Motors

Pump Motors

Washguard Motors

Agricultural Motors

HVAC / Fan Motors

Special Voltage Motors

Definite Purpose Motors

Brake Motors

Definite Purpose Motors

VVVF (Variable Voltage-Variable Frequency) Traction Elevator Hoist Motors

Three Phase - Drip-Proof - Rigid Base with Encoder

HP	SYN RPM	No. of Poles	Frame	▼ Catalog Number	Stock	List Price	Model Number	App. Wgt. (lbs)	HZ	Voltage	F. L. Amps	Rated Accel. Torque	♥Notes
20	1200	6	286T	LM28132	C/A	6,802	SD6S20T61YET1	390	60	230/460	61/30.5	275%	S, US
	1200	6	286T	LM28133	✓	6,802	SD6S20T6006YET1	400	60	200	68	275%	S, US
	1200	4	286T	LM28134	C/A	5,558	SD4P20T41ET1	385	40	230/460	52/26	330%	S, US
	1200	4	286T	LM28135	C/A	5,558	SD4P20T4006ET1	385	40	200	60	330%	S, US
	900	4	324T	LM28136	C/A	6,333	SD4P20T31ET1	480	30	230/460	54/27	275%	S, US
	900	4	324T	LM28137	C/A	6,333	SD4P20T3006ET1	471	30	200	62.1	275%	S, US
25	1800	4	284T	LM30720	C/A	4,916	SD4P25T61ET1	350	60	230/460	64/32	250%	S, US
	1800	4	284T	LM30721	C/A	4,916	SD4P25T62ET1	350	60	200	73.5	250%	S, US
	1200	6	324T	LM28138	C/A	6,912	SD6S25T61YET1	505	60	230/460	64/32	250%	S, US
	1200	6	324T	LM28139	C/A	6,912	SD6P25T6006ET1	505	60	200	73.6	250%	S, US
	1200	4	324T	LM28140	C/A	6,333	SD4P25T41ET1	472	40	230/460	65/32.5	275%	S, US
	1200	4	324T	LM28141	C/A	6,333	SD4P25T4006ET1	472	40	200	74.8	275%	S, US
30	900	4	326T	LM28142	C/A	7,193	SD4P25T31ET1	538	30	230/460	64/32	275%	S, US
	900	4	326T	LM28143	C/A	7,193	SD4P25T3006YET1	525	30	200	73.6	275%	S, US
	1800	4	286T	LM30722	C/A	5,714	SD4P30T61ET1	400	60	230/460	72/36	250%	S, US
	1800	4	286T	LM30723	C/A	5,714	SD4P30T62ET1	400	60	200	83	250%	S, US
	1200	6	326T	LM27976	C/A	7,713	SD6S30T61YET1	535	60	230/460	76/38	225%	S, US
	1200	6	326T	LM28144	C/A	7,713	SD6S30T6006YET1	552	60	200	87.4	225%	S, US
40	1200	4	326T	LM28145	C/A	7,060	SD4P30T41ET1	516	40	230/460	74/37	275%	S, US
	1200	4	326T	LM28146	C/A	7,060	SD4P30T4006ET1	516	40	200	85	275%	S, US
	900	4	364T	LM28147	C/A	8,641	SD4P30T31ET1	575	30	230/460	74/37	275%	S, US
	900	4	364T	LM28148	C/A	8,641	SD4P30T3006ET1	575	30	200	85	275%	S, US
	1800	4	324T	LM30724	C/A	6,543	SD4P40T61ET1	470	60	230/460	98/49	250%	S, US
	1800	4	324T	LM30725	C/A	6,543	SD4P40T62ET1	470	60	200	113	250%	S, US
50	1200	6	364T	LM28149	✓	9,750	SD6S40T61YET1	755	60	230/460	98/49	250%	S, US
	1200	6	364T	LM28150	C/A	9,750	SD6S40T6006YET1	755	60	200	113	250%	S, US
	1200	4	364T	LM28151	C/A	8,641	SD4P40T41ET1	715	40	230/460	96/48	275%	S, US
	1200	4	364T	LM28152	C/A	8,641	SD4P40T4006ET1	715	40	200	111	275%	S, US
	900	4	365T	LM28153	C/A	9,626	SD4P40T31ET1	783	30	230/460	97/48.5	275%	S, US
	900	4	365T	LM28154	C/A	9,626	SD4P40T3006ET1	783	30	200	112	275%	S, US
60	1800	4	326T	LM30647	C/A	7,300	SD4P50T61ET1	522	60	230/460	121/60.5	250%	S, US
	1800	4	326T	LM30648	C/A	7,300	SD4P50T6006ET1	522	60	200	139	250%	S, US
	1200	6	365T	LM28155	C/A	10,016	SD6S50T61YET1	800	60	230/460	129/64.5	275%	S, US
	1200	6	365T	LM28156	C/A	10,016	SD6S50T6006YET1	800	60	200	148	275%	S, US
	1200	4	365T	LM28157	C/A	9,626	SD4P50T41ET1	765	40	230/460	120/60	275%	S, US
	1200	4	365T	LM28158	C/A	9,626	SD4P50T4006ET1	765	40	200	138	275%	S, US
Special Voltage Motors	900	4	405T	LM28159	C/A	12,795	SD4P50T31ET1	964	30	230/460	118/59	275%	S, US
	900	4	405T	LM28160	C/A	12,795	SD4S50T3006YET1	964	30	200	136	275%	S, US
	1800	4	364T	LM30649	C/A	8,987	SD4P60T61ET1	715	60	230/460	140/70	—	S, US
	1800	4	364T	LM30650	C/A	8,987	SD4P60T6006ET1	715	60	200	161	—	S, US
1200	6	404T	LM28161	✓	11,327	SD6P60T61YET1	888	60	230/460	167/83.5	250%	S, US	
1200	6	404T	LM28162	C/A	11,327	SD6P60T6006YET1	888	60	200	192	250%	S, US	

▼ LM Numbers are Lincoln Models

♥ Note listing on inside back flap

C/A - Check Availability

Specifications are subject to change without notice



View On-line Technical Information



Explosion Proof Motors

Automotive Duty Motors

Pump Motors

Washguard Motors

Agricultural Duty Motors

HVAC / Fan Motors

Special Voltage Motors

Definite Purpose Motors

Brake Motors

VVVF (Variable Voltage-Variable Frequency) Traction Elevator Hoist Motors

Three Phase - Drip-Proof - C Face Less Base - with Encoder - F1 Conduit Box

HP	SYN RPM	No. of Poles	Frame	▼ Catalog Number	Stock	List Price	Model Number	App. Wgt. (lbs)	HZ	Voltage	F. L. Amps	Rated Accel. Torque	♥Notes	
7 1/2	1200	6	254T	LM28200	√	3,790	SD6P7.5TCN61ET1	150	60	230/460	24/12	225%	S, US	
	1200	6	254T	LM28201	√	3,790	SD6P7.5TCN6006ET1	150	60	200	28	225%	S, US	
	1200	4	254T	LM30655	C/A	3,718	SD4P7.5TCN41ET1	145	40	230/460	19/9.5	275%	S, US	
	1200	4	254T	LM30663	C/A	3,718	SD4P7.5TCN4006ET1	145	40	200	22	275%	S, US	
	900	4	256T	LM28202	C/A	4,117	SD4P7.5TCN31ET1	225	30	230/460	19.6/9.8	275%	S, US	
	900	4	256T	LM28203	C/A	4,117	SD4P7.5TCN3006ET1	225	30	200	23	275%	S, US	
10	1200	6	256T	LM28204	√	4,200	SSD6P10TCN61ET1	202	60	230/460	24/12	250%	S, US	
	1200	6	256T	LM28205	√	4,200	SD6P10TCN6006ET1	202	60	200	28	250%	S, US	
	1200	4	256T	LM30732	C/A	4,117	SD4P10TCN41ET1	230	40	230/460	19/9.5	275%	S, US	
	1200	4	256T	LM30733	C/A	4,117	SD4P10TCN4006ET1	230	40	200	22	275%	S, US	
	900	4	284T	LM28206	C/A	4,935	SD4P10TCN31ET1	355	30	230/460	19.6/9.8	330%	S, US	
	900	4	284T	LM28207	C/A	4,935	SD4P10TCN3006ET1	355	30	200	23	330%	S, US	
12 1/2	1200	6	284T	LM30734	√	4,693	SD4P12.5TCN61ET1	305	60	230/460	42/21	300%	S, US	
	1200	6	284T	LM30735	√	4,693	SD4P12.5TCN6006ET1	305	60	200	48.5	300%	S, US	
	900	4	284T	LM30736	C/A	5,340	SD4P12.5TCN3006ET1	355	30	230/460	34/17	300%	S, US	
	900	4	284T	LM30737	C/A	5,340	SD4P12.5TCN3006ET1	355	30	200	38.5	300%	S, US	
15	1800	4	256T	LM30748	C/A	4,200	SD4P15TCN61ET1	220	60	230/460	—	—	S, US	
	1800	4	256T	LM30749	C/A	4,200	SD4P15TCN6006ET1	220	60	200	—	—	S, US	
	1200	6	284T	LM28208	√	5,104	SD6P15TCN61ET1	330	60	230/460	49/24.5	300%	S, US	
	1200	6	284T	LM28209	√	5,104	SD6S15TCN6006YET1	330	60	200	56.5	300%	S, US	
	1200	4	284T	LM30750	C/A	4,935	SD4P15TCN41ET1	355	40	230/460	40/20	330%	S, US	
	1200	4	284T	LM30751	C/A	4,935	SD4P15TCN4006ET1	355	40	200	46	330%	S, US	
	900	4	286T	LM28210	C/A	5,746	SD4P15TCN31ET1	388	30	230/460	40/20	300%	S, US	
	900	4	286T	LM28211	C/A	5,746	SD4S15TCN3006ET1	388	30	200	46	300%	S, US	
	20	1800	4	256T	LM30752	C/A	4,613	SD4P20TCN61ET1	249	60	230/460	—	—	S, US
		1800	4	256T	LM30753	C/A	4,613	SD4P20TCN6006ET1	249	60	200	—	—	S, US
1200		6	286T	LM28212	C/A	6,126	SD6S20TCN61YET1	379	60	230/460	61/30.5	275%	S, US	
1200		6	286T	LM28213	√	6,126	SD6S20TCN6006YET1	379	60	200	68	275%	S, US	
1200		4	286T	LM30739	C/A	5,746	SD4P20TCN41ET1	396	40	230/460	52/26	330%	S, US	
1200		4	286T	LM30740	C/A	5,746	SD4P20TCN6006ET1	396	40	200	60	330%	S, US	
900		4	324T	LM28214	C/A	6,645	SD4P20TCN31ET1	480	30	230/460	54/27	275%	S, US	
900		4	324T	LM28215	C/A	6,645	SD4S20TCN3006YET1	480	30	200	62.1	275%	S, US	
25		1800	4	284T	LM31607	C/A	5,177	SD4P25TCN61ET1	355	60	230/460	64/32	250%	S, US
		1800	4	284T	LM30760	C/A	5,177	SD4P25TCN6006ET1	355	60	200	73.5	250%	S, US
	1200	6	324T	LM28216	C/A	7,439	SD6S25TC61YET1	499	60	230/460	64/32	250%	S, US	
	1200	6	324T	LM28217	C/A	7,439	SD6P25TCN6006ET1	499	60	200	73.6	250%	S, US	
	1200	4	324T	LM30754	C/A	6,645	SD4P25TCN41ET1	480	40	230/460	65/32.5	275%	S, US	
	1200	4	324T	LM30755	C/A	6,645	SD4P25TCN4006ET1	480	40	200	74.8	275%	S, US	
	900	4	326T	LM28218	C/A	7,998	SD4P25TCN31ET1	533	30	230/460	64/32	275%	S, US	
	900	4	326T	LM28219	C/A	7,998	SD4P25TCN3006ET1	533	30	200	73.6	275%	S, US	

▼ LM Numbers are Lincoln Models

♥ Note listing on inside back flap

C/A - Check Availability

Continued On Next Page

Specifications are subject to change without notice

View On-line Technical Information



Explosion Proof Motors

Automotive Duty Motors

Pump Motors

Washguard Motors

Agricultural Motors

HVAC / Fan Motors

Special Voltage Motors

Definite Purpose Motors

Brake Motors

Definite Purpose Motors

VVVF (Variable Voltage-Variable Frequency) Traction Elevator Hoist Motors

Three Phase - Drip-Proof - C Face Less Base - with Encoder - F1 Conduit Box

HP	SYN RPM	No. of Poles	Frame	▼ Catalog Number	Stock	List Price	Model Number	App. Wgt. (lbs)	HZ	Voltage	F. L. Amps	Rated Accel. Torque	♥Notes
30	1800	4	286T	LM30702	C/A	5,903	SD4S30TCN61YET1	397	60	230/460	72/36	250%	S, US
	1800	4	286T	LM30762	C/A	5,903	SD4P30TCN6006ET1	397	60	200	83	250%	S, US
	1200	6	326T	LM27971	√	8,260	SD6S30TCN61YET1	537	60	230/460	76/38	225%	S, US
	1200	6	326T	LM28220	√	8,260	SD6S30TCN6006YET1	557	60	200	87.4	225%	S, US
	1200	4	326T	LM30756	C/A	7,372	SD4P30TCN41ET1	532	40	230/460	74/37	275%	S, US
	1200	4	326T	LM30757	C/A	7,372	SD4P30TCN4006ET1	532	40	200	85	275%	S, US
	900	4	364T	LM28221	C/A	9,145	SD4P30TCN31ET1	720	30	230/460	74/37	275%	S, US
	900	4	364T	LM28222	C/A	9,145	SD4P30TCN3006ET1	720	30	200	85	275%	S, US
	40	1800	4	324T	LM30763	C/A	7,333	SD4P40TCN61ET1	480	60	230/460	98/49	250%
1800		4	324T	LM30764	C/A	7,333	SD4P40TCN6006ET1	480	60	200	113	250%	S, US
1200		6	364T	LM28223	√	10,028	SD6P40TCN61ET1	724	60	230/460	98/49	250%	S, US
1200		6	364T	LM28224	C/A	10,028	SD6P40TCN6006ET1	724	60	200	113	250%	S, US

▼ LM Numbers are Lincoln Models

♥ Note listing on inside back flap

C/A - Check Availability

Specifications are subject to change without notice

Encoder Pigtail Kits for VVVF Elevator Duty Motors

Applications:

Encoder pigtail kits are used to extend the length of the existing encoder leads.

▼ Kit Number	Stock	Description	List Price
LM30561		30 ft. encoder cable kit	764
LM31752		40 ft. encoder cable kit	764
LM30881		50 ft. encoder cable kit	902

▼ LM Numbers are Lincoln Models

Specifications are subject to change without notice



View On-line Technical Information



Definite Purpose Motors

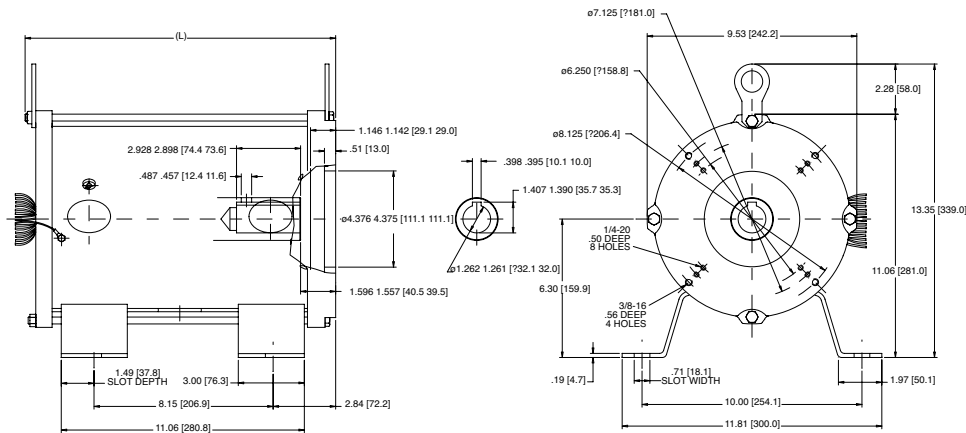
Submersible Hydraulic Elevator Pump Motors

Applications:

These motors are designed to meet the demands in the Hydraulic Elevator Pump Industry. Our Submersible Hydraulic pump elevator motors are ready to be placed in elevator systems for applications in hydraulic pump passenger, service, freight and low-rise elevators. Rated up to 6 floors at speeds up to 200 fpm.

Features:

- Intermittent duty
- Suitable for Wye-Delta starters
- 1.0 service factor and 70°C ambient rated
- Three bolt circles, 12 mounting holes, and face mounting to accept both the IMO and Allweiler pumps
- 10 foot long leads, spliced 40 inches from motor to prevent wicking of hydraulic fluid
- Thermostat leads are marked P1 and P2
- Class F insulation
- Two stainless steel nameplates, one shipped separate for remote mount
- UL recognized component listing and CSA approved



See Next Page



Explosion Proof Motors

Automotive Duty Motors

Pump Motors

Washguard Motors

Agricultural Motors

HVAC / Fan Motors

Special Voltage Motors

Definite Purpose Motors

Brake Motors

Definite Purpose Motors

Submersible Hydraulic Elevator Pump Motors

Three Phase - Open Submersible - Rigid Base

HP	RPM 60 Hz	Frame	▼ Catalog Number	Stock	List Price	Model Number	App. Wgt. (lbs)	Voltage	KVA Code	F. L. Amps	Locked Rotor Amps	F.L. Eff.	App. Wgt. (lbs)	♥Notes
15	3600	160Z	LM29656	✓	1,094	SD2S15Z6006YEH3	110	200	H	53.0	268	72.2	S, CN	S, CN
	3600	160Z	LM29657	✓	1,094	SD2S15Z61YEH3	110	230/460	H	46/23	250/125	72.2	S, CN	S, CN
	3600	160Z	LM29658	✓	1,094	SD2S15Z65YEH3	110	575	H	18.4	100	72.2	S, CN	S, CN
20	3600	160Z	LM29659	✓	1,122	SD2S20Z6006YEH3	112	200	G	64.5	363	76.4	S, CN	S, CN
	3600	160Z	LM29660	✓	1,122	SD2S20Z61YEH3	112	230/460	G	56/28	316/158	76.4	S, CN	S, CN
	3600	160Z	LM29661	✓	1,122	SD2S20Z65YEH3	112	575	G	22.4	126	76.4	S, CN	S, CN
25	3600	160Z	LM29662	✓	1,222	SD2S25Z6006YEH3	115	200	G	77.1	268	79.0	S, CN	S, CN
	3600	160Z	LM29663	✓	1,222	SD2S25Z61YEH3	115	230/460	G	67/33.5	250/125	79.0	S, CN	S, CN
	3600	160Z	LM29664	✓	1,222	SD2S25Z65YEH3	115	575	G	26.8	100	79.0	S, CN	S, CN
30	3600	160Z	LM29665	✓	1,362	SD2S30Z6006YEH3	119	200	G	92.0	268	79.9	S, CN	S, CN
	3600	160Z	LM29666	✓	1,362	SD2S30Z61YEH3	119	230/460	G	80/40	250/125	79.9	S, CN	S, CN
	3600	160Z	LM29667	✓	1,362	SD2S30Z65YEH3	119	575	G	32.0	100	79.9	S, CN	S, CN
40	3600	160Z	LM29668	✓	1,746	SD2S40Z6006YEH3	132	200	G	115.0	268	84.0	S, CN	S, CN
	3600	160Z	LM29669	✓	1,746	SD2S40Z61YEH3	132	230/460	G	100/50	250/125	84.0	S, CN	S, CN
	3600	160Z	LM29670	✓	1,746	SD2S40Z65YEH3	132	575	G	40.0	100	84.0	S, CN	S, CN
50	3600	160Z	LM29671	✓	1,991	SD2S50Z6006YEH3	143	200	H	140.0	268	84.0	S, CN	S, CN
	3600	160Z	LM29672	✓	1,991	SD2S50Z61YEH3	143	230/460	H	122/61	250/125	84.0	S, CN	S, CN
	3600	160Z	LM29673	✓	1,991	SD2S50Z65YEH3	143	575	H	48.8	100	84.0	S, CN	S, CN

▼ LM Numbers are Lincoln Models

♥ Note listing on inside back flap

Specifications are subject to change without notice

Conversion Kit

L32 Kit Information:

Used to adapt the Lincoln Submersible Elevator motors to some IMO and Alweiler Pumps.
Kit includes needed through-bolts to mount this kit to these motors

L32 Bracket Conversion Kit

▼ Catalog Number	Desc. Sym	App. Wgt. (lbs)	List Price
LM31777	A	12	586

▼ LM Numbers are Lincoln Models

Specifications are subject to change without notice



View On-line Technical Information



Definite Purpose Motors Unit Handling Motors

Applications:

Unit and baggage handling, conveyors, packaging equipment machine tools, elevators and door openers where a conduit box at 12:00 position is needed due to mounting size restrictions



Features:

- Low profile conduit box at the 12:00 position
- Base includes both 56H and 143-5T mounting holes and slots

Single Phase - TEFC - Rigid C Face

HP	RPM 60 Hz	NEMA Frame	Catalog Number	Stock	List Price	Model Number	App. Wgt. (lbs)	Voltage	F. L. Amps 230V	Service Factor	"C" Dim. (Inches)	♥Notes
1/2	1800	56C	117701.00	√	523	C6C17FK92	22	115/208-230	4.4	1.15	12.48	S, US
3/4	1800	56C	117702.00	√	569	C6C17FK94	26	115/208-230	5.4	1.15	12.98	S, US
1	1800	56C	117703.00	√	617	C6C17FK93	30	115/208-230	6.4	1.15	12.98	S, US

Specifications are subject to change without notice

♥ Note listing on inside back flap

Single Phase - TEFC - C Face Less Base

HP	RPM 60 Hz	NEMA Frame	Catalog Number	Stock	List Price	Model Number	App. Wgt. (lbs)	Voltage	F. L. Amps 230V	Service Factor	"C" Dim. (Inches)	♥Notes
1/2	1800	56C	117704.00	√	502	C6C17FC175	21	115/208-230	4.4	1.15	10.98	S, US
3/4	1800	56C	117705.00	√	549	C6C17FC176	25	115/208-230	5.4	1.15	11.48	S, US
1	1800	56C	117706.00	√	590	C6C17FC177	29	115/208-230	6.4	1.15	11.48	S, US

Specifications are subject to change without notice

♥ Note listing on inside back flap

Three Phase - TEFC - Rigid C Face

HP	RPM 60 Hz	NEMA Frame	Catalog Number	Stock	List Price	Model Number	App. Wgt. (lbs)	Voltage	F. L. Amps 230V	% F.L. Eff.	Service Factor	"C" Dim. (Inches)	♥Notes
1/2	1800	56C	117707.00	√	434	C6T17FK99	21	208-230/460	2.0	74.0	1.15	12.48	S, US
3/4	1800	56C	117708.00	√	459	C6T17FK100	22	208-230/460	2.8	77.0	1.15	12.48	S, US
1	1800	56C	117709.00	√	492	C6T17FK101	30	208-230/460	3.6	77.0	1.15	12.48	S, US
	1800	143TC	121982.00	√	717	C143T17FK23	32	208-230/460	3.4	85.5	1.15	12.92	S, US
1.5	1800	56C	117710.00	√	535	C6T17FK102	30	208-230/460	5.0	78.5	1.15	12.48	S, US
	1800	143TC	121983.00	√	757	C143T17FK24	34	208-230/460	5.6	86.5	1.15	13.42	S, US
2	1800	145TC	121984.00	√	834	C145T17FK65	45	208-230/460	5.8	86.5	1.15	13.92	S, US

Green items are Premium Efficient

♥ Note listing on inside back flap

Specifications are subject to change without notice

Three Phase - TEFC - C Face Less Base

HP	RPM 60 Hz	NEMA Frame	Catalog Number	Stock	List Price	Model Number	App. Wgt. (lbs)	Voltage	F. L. Amps 230V	% F.L. Eff.	Service Factor	"C" Dim. (Inches)	♥Notes
1/2	1800	56C	117711.00	√	424	C6T17FC226	20	208-230/460	2.0	74.0	1.15	10.48	S, US
3/4	1800	56C	117712.00	√	453	C6T17FC227	22	208-230/460	2.8	77.0	1.15	10.48	S, US
1	1800	56C	117713.00	√	485	C6T17FC228	24	208-230/460	3.8	77.0	1.15	10.98	S, US
	1800	143TC	121985.00	√	599	C143T17FC36	36	208-230/460	3.1	82.5	1.15	11.92	S, US
1.5	3600	56C	117714.00	√	529	C6T34FC107	29	208-230/460	4.2	78.5	1.15	11.48	S, US
	1800	143TC	121986.00	√	625	C145T17FC114	41	208-230/460	4.4	84.0	1.15	12.92	S, US
2	1800	145TC	121987.00	√	643	C145T17FC115	44	208-230/460	5.6	84.0	1.15	13.42	S, US

Specifications are subject to change without notice

♥ Note listing on inside back flap

View On-line Technical Information



Explosion Proof
Motors

Automotive
Duty Motors

Pump
Motors

Washguard
Motors

Agricultural
Motors

HVAC / Fan
Motors

Special Voltage
Motors

Definite
Purpose Motors

Brake Motors

Definite Purpose Motors

Export Only Motors - Three Phase - EAct and Standard Efficiency

Specifications:

These motors comply to the EAct mandates of 1997, but do not comply with EISA mandates of Dec. 2010. They are not intended for use in the USA, and can be used on machinery that is exported out of the USA

Three Phase - TEFC - Rigid Base

HP	RPM @ 60 Hz	NEMA Frame	Catalog Number	Stock	List Price	App. Wgt. (lbs)	Voltage	% F.L. Eff.	♥Notes
1	1725	143T	EXG120014.00	✓	507	31	208-230/460	82.5	S, US
	1725	143T	EXG151696.60	C/A	544	49	208-230/460	84.0	C, CN
1 1/2	3450	145T	EXG120086.00	✓	560	45	208-230/460	82.5	S, US
	3450	143T	EXG151698.60	C/A	601	45	208-230/460	82.5	C, CN
	1725	145T	EXG120015.00	✓	513	36	208-230/460	84.0	S, US
	1725	145T	EXG151702.60	C/A	550	53	208-230/460	85.5	C, CN
2	3450	145T	EXG120088.00	✓	644	45	208-230/460	84.0	S, US
	3450	145T	EXG151704.60	C/A	690	49	208-230/460	84.0	C, CN
	1725	145T	EXG120016.00	✓	542	46	208-230/460	84.0	S, US
	1725	145T	EXG151703.60	C/A	584	56	208-230/460	85.5	C, CN
3	3450	145T	EXG120185.00	C/A	737	42	208-230/460	85.5	S, US
	3450	182T	EXG130099.00	C/A	789	60	208-230/460	85.5	S, MX
	3510	182T	EXG151563.60	C/A	847	93	208-230/460	85.5	C, CN
	1740	182T	EXG130008.00	✓	642	68	208-230/460	87.5	S, MX
	1750	182T	EXG151320.60	C/A	827	94	208-230/460	87.5	C, CN
5	3500	184T	EXG150299.60	C/A	856	100	208-230/460	87.5	C, CN
	3450	184T	EXG130101.00	C/A	908	73	208-230/460	87.5	S, MX
	1740	184T	EXG130027.00	✓	740	80	208-230/460	87.5	S, MX
	1750	184T	EXG151322.60	✓	877	101	208-230/460	87.5	C, CN
7 1/2	3450	184T	EXG131082.00	C/A	1012	91	208-230/460	88.5	S, MX
	3450	S213T	EXG130103.00	C/A	1039	101	208-230/460	88.5	S, MX
	3510	213T	EXG150158.60	C/A	1130	150	208-230/460	88.5	C, CN
	1740	213T	EXG140578.00	✓	990	144	208-230/460	89.5	S, MX
	1750	213T	EXG150157.60	✓	1019	153	208-230/460	89.5	C, CN
10	3510	215T	EXG140686.00	C/A	1331	126	208-230/460	89.5	S, MX
	3510	215T	EXG150159.60	✓	1314	167	208-230/460	89.5	C, CN
	1740	215T	EXG140489.00	✓	1073	167	208-230/460	89.5	S, MX
	1750	215T	EXG150140.60	✓	1147	176	208-230/460	89.5	C, CN
15	3510	215T	EXG140687.00	C/A	1670	140	208-230/460	90.2	S, MX
	3510	215T	EXG151317.60	C/A	1755	168	208-230/460	90.2	C, CN
	3525	254T	EXG150062.60	✓	1757	260	208-230/460	90.2	C, CN
	1770	254T	EXG150066.60	✓	1809	284	208-230/460	91.0	C, CN
20	3525	256T	EXG150033.60	✓	2389	296	208-230/460	90.2	C, CN
	1750	256T	EXG150007.60	✓	2226	321	208-230/460	91.0	C, CN
25	3525	256T	EXG151318.60	C/A	2815	307	208-230/460	91.0	C, CN
	3550	284TS	EXG150035.60	C/A	2886	349	208-230/460	91.0	C, CN
	1770	284T	EXG150011.60	✓	2619	370	208-230/460	92.4	C, CN
30	1770	286T	EXG150015.60	✓	3185	428	208-230/460	92.4	C, CN
40	1780	324T	EXG150019.60	✓	4112	528	208-230/460	93.0	C, CN
50	1780	326T	EXG150023.60	✓	5069	561	208-230/460	93.0	C, CN
60	1780	364T	EXG150027.60	C/A	7402	687	208-230/460	93.6	C, CN
75	1780	365T	EXG150031.60	C/A	8545	723	208-230/460	94.1	C, CN
100	1780	405T	EXG150087.60	C/A	11480	1050	208-230/460	94.5	C, CN
125	1780	444T	EXG151369.60	C/A	15241	1920	460	94.5	C, CN
150	1790	445T	EXG151371.60	C/A	17101	1900	460	95.0	C, CN
200	1790	447T	EXG150352.60	C/A	21800	2053	460	95.0	C, CN

Specifications are subject to change without notice

♥ Note listing on inside back flap



Export Only Motors - Three Phase - EAct and Standard Efficiency

Three Phase - TEFC - C Face With Base

HP	RPM @ 60 Hz	NEMA Frame	Catalog Number	Stock	List Price	App. Wgt. (lbs.)	Voltage	% F.L. Eff.	♥Notes
1	1740	145TC	EXG121286.00	C/A	596	35	208-230/460	82.5%	S, US
1 1/2	1725	145TC	EXG121287.00	C/A	595	37	208-230/460	84.0%	S, US
2	1725	145TC	EXG120276.00	C/A	623	45	208-230/460	84.0%	S, US
3	1760	182TC	EXG130326.00	√	773	68	208-230/460	87.5%	S, MX
	1750	182TC	EXG151565.60	C/A	896	94	208-230/460	87.5%	C, CN
5	1760	184TC	EXG130328.00	√	887	81	208-230/460	87.5%	S, MX
	1750	184TC	EXG151566.60	C/A	983	101	208-230/460	87.5%	C, CN
7 1/2	1740	213TC	EXG140183.00	C/A	1061	153	208-230/460	89.5%	S, MX
	1760	213TC	EXG150165.60	C/A	1122	156	208-230/460	89.5%	C, CN
10	1740	215TC	EXG140147.00	C/A	1242	162	208-230/460	89.5%	S, MX
	1760	215TC	EXG150167.60	C/A	1321	178	208-230/460	89.5%	C, CN
15	1770	254TC	EXG150102.60	C/A	1895	268	208-230/460	91.0%	C, CN
20	1770	256TC	EXG150080.60	C/A	2313	321	208-230/460	91.0%	C, CN
25	1770	284TC	EXG150081.60	C/A	2982	387	208-230/460	92.4%	C, CN
30	1770	286TC	EXG150082.60	C/A	3297	433	208-230/460	92.4%	C, CN
40	1780	324TC	EXG150083.60	C/A	4499	572	208-230/460	93.0%	C, CN
50	1780	326TC	EXG150084.60	C/A	5215	631	208-230/460	93.0%	C, CN
60	1780	364TC	EXG150085.60	C/A	7866	699	208-230/460	93.6%	C, CN
75	1780	365TC	EXG150086.60	C/A	9977	757	208-230/460	94.1%	C, CN
100	1780	405TC	EXG151680.60	C/A	12479	1100	208-230/460	94.5%	C, CN

C/A - Check Availability

♥ Note listing on inside back flap

Specifications are subject to change without notice

Three Phase - TEFC - C Face Less Base

HP	RPM @ 60 Hz	NEMA Frame	Catalog Number	Stock	List Price	App. Wgt. (lbs.)	Voltage	% F.L. Eff.	♥Notes
1	1725	143TC	EX120024.00	C/A	493	26	208-230/460	77.0%	S, US
1 1/2	1725	145TC	EX120037.00	√	506	32	208-230/460	80.0%	S, US
2	1725	145TC	EX120038.00	√	542	35	208-230/460	81.5%	S, US
3	1725	145TC	EX121035.00	√	718	44	208-230/460	82.5%	S, US
	1740	182TC	EX131491.00	√	688	52	208-230/460	82.5%	S, MX
5	1725	184TC	EX131492.00	√	788	64	208-230/460	82.5%	S, MX
7 1/2	1740	184TC	EX131606.00	√	1,013	66	208-230/460	87.0%	S, MX
	1740	213TC	EX151346.60	C/A	1,097	162	208-230/460	87.9%	C, CN
	1750	S213TC	EX131528.00	C/A	1,013	102	208-230/460	87.0%	S, MX
10	1740	215TC	EX140109.00	C/A	1,213	141	208-230/460	89.5%	S, MX
	1750	215TC	EX151348.60	C/A	1,292	185	208-230/460	88.4%	C, CN
15	1760	254TC	EX151350.60	C/A	1,834	284	208-230/460	90.0%	C, CN
20	1760	256TC	EX151352.60	C/A	2,313	270	208-230/460	91.2%	C, CN
25	1760	284TC	EX151507.60	C/A	2,913	390	208-230/460	91.3%	C, CN
30	1760	286TC	EX151508.60	C/A	3,502	411	208-230/460	91.5%	C, CN
40	1760	324TC	EX151509.60	C/A	4,480	548	208-230/460	92.1%	C, CN
50	1760	326TC	EX151510.60	C/A	5,168	594	208-230/460	92.4%	C, CN
60	1760	364TC	EX151519.60	C/A	7,767	778	208-230/460	92.7%	C, CN

C/A - Check Availability

♥ Note listing on inside back flap

Specifications are subject to change without notice

View On-line Technical Information



Explosion Proof Motors

Automotive Duty Motors

Pump Motors

Washguard Motors

Agricultural Motors

HVAC / Fan Motors

Special Voltage Motors

Definite Purpose Motors

Brake Motors